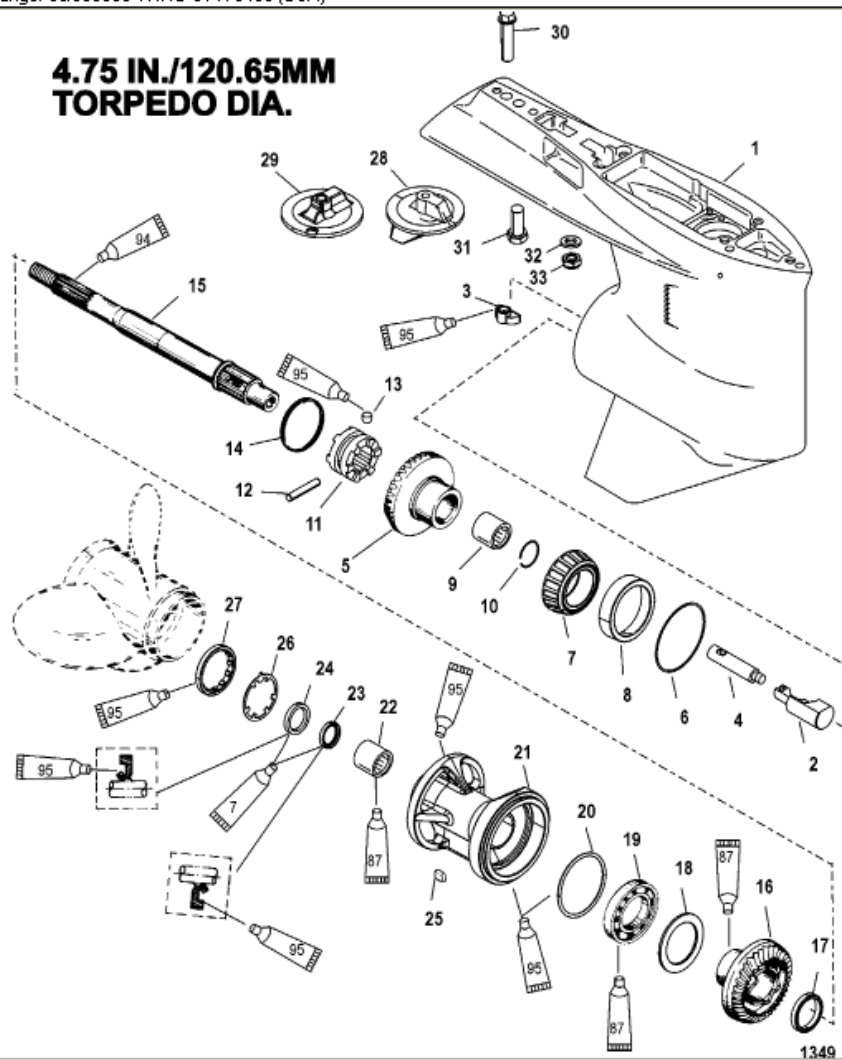


**4.75 IN./120.65MM
 TORPEDO DIA.**



Parts List					
Ref	Class	Part	Description	Qty	Footnote
0	1647	9148T84	GEAR HOUSING ASSEMBLY, Con	1	(LONG - 1.87:1)
0	1647	9148T85	GEAR HOUSING ASSEMBLY, Con	1	(X-LONG - 1.87:1)
0	1647	9148T81	GEAR HOUSING ASSEMBLY, Con	1	(LONG - 2:1)
0	1647	9148T82	GEAR HOUSING ASSEMBLY, Con	1	(X-LONG - 2:1)
1	1647	9148T93	GEAR HOUSING, (Basic)	1	
2		89594A 1	FOLLOWER	1	24
3		78956 2	SHIFT CAM	1	24
4		828287	ROD	1	24
5	43	878613A 2	FORWARD GEAR, (1.87:1 - 15/2	1	(1.87:1 Gear Ratio) SN# 0T97999
5	43	803615T 2	PINION/FORWARD GEAR ASSE	1	(1.87:1 Gear Ratio) SN# 0T98000
5	43	878615A 2	FORWARD GEAR, (2:1 - 14/28)	1	(2:1 Gear Ratio) SN# 0T97999 &
5	43	803612T 2	PINION/FORWARD GEAR ASSE	1	(2:1 Gear Ratio) SN# 0T98000 &
6	15	44491A 1	SHIM SET	AR	23
7	31	30894A 1	BEARING SET, Cup And Cone	1	
8		NSS	NOT SOLD SEPARATE, Cup	1	
9	31	30895T	BEARING, Needle	1	23
10	53	856823	RING, Retaining	1	
11	52	859340T	CLUTCH	1	24
12	17	30632	PIN, Cross	1	24
13	17	828356	PIN, Detent	1	24
14	24	30893	SPRING	1	24
15	44	94148	PROPELLER SHAFT	1	
16	43	828175A 1	REVERSE GEAR, (15/28)	1	(1.87:1 Gear Ratio)
16	43	828177A 1	REVERSE GEAR, (14/28)	1	(2:1 Gear Ratio)
17	23	824108	SPACER	1	
18		68100 1	RING, Thrust	1	23
19	30	88957T	BALL BEARING	1	23
20	25	31534	O-RING	1	2,15
21		43567T 1	BEARING CARRIER ASSEMBLY	1	
22	31	30956T	BEARING, Needle	1	23
23	26	14077	SEAL, Oil (INSIDE)	1	
24	26	76868	SEAL (OUTSIDE)	1	15
25	28	30281	KEY	1	
26	14	79447	TAB WASHER	1	23
27		79448	RETAINER	1	
28		31640T 5	TRIM TAB	1	
29		76214Q 5	ANODIC PLATE ASSEMBLY	1	
30	10	806327	SCREW, (.437-14 x 1.750)	1	
31	10	65210	SCREW, (.375-16 x 1.00)	1	
32	12	45176	WASHER, (.453 x .812 x .105)	2	
33	11	24922	NUT, (.437-20)	2	